

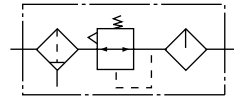
# 39

## 系列气源处理元件 Series Air Filter Combination

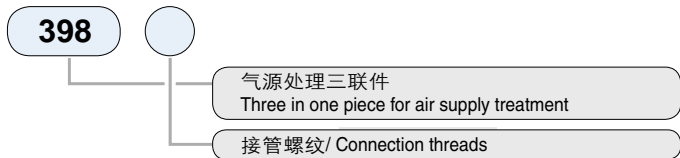
### 398 系列气源处理三联件 Series Fiter Regulator and Lubricator (F.R.L)



#### 图形符号 Graphical symbols



#### 型号注释 Order Code



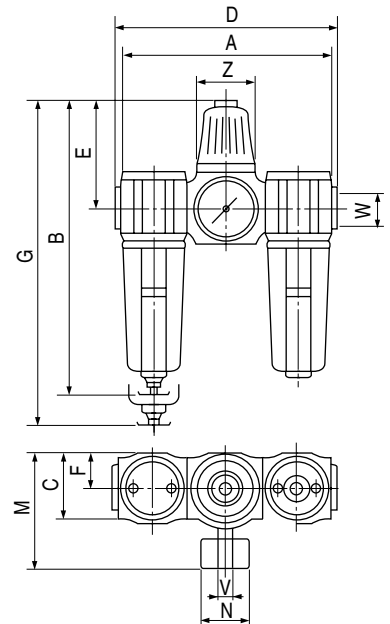
#### 技术参数 Specification

最大工作压力 / Max working Pressure	1.0MPa
工作温度 / Working temp.	5 ~ 60°C
压力可调范围 / Adjustable range of pressure	0.05 ~ 1MPa
分水效率 / Moisture separation effectiveness	≥80%

流量 / Flow rate m³/h (L/min)

接管螺纹 Connection threads		G1/8 ~ G1/4	G3/8 ~ G1/2	G3/4 ~ G1
通过 passage dia (mm)		6 ~ 8	10 ~ 15	20 ~ 25
输入压力 Pressure input P1 (MPa)	输出压力 Pressure output P2 (MPa)	当压降 $\Delta P=0.1\text{MPa}$ 时流量 when pressur drop $\Delta P=0.1\text{MPa}$ , flow rate		
1.0	0.1	15 (250)	38 (630)	95 (1580)
1.0	0.25	20 (333)	53 (880)	120 (2000)
1.0	0.4	25 (415)	64 (1065)	140 (2330)
1.0	0.6	30 (500)	75 (1250)	160 (2665)

# 三联件的配管直径小一号时，最大流量约减少10%；滤芯微孔直径小一号时，流量约减少7%。  
# With pipeline to the three-in-one piece one size smaller in diameter, the flow rate reduces by approx 10%, with filter element pore dia one size smaller, flow rate reduces by 7%.



#### 外形尺寸 Outlook & Dimension

型号 type	A	B	C	D	E	F	Z	G	V	N	M	重量(Kg) weight
398.213	120	177	40	128	62	20	M30 × 1.5	202	G1/4	40	70	0.970
398.223	120	177	40	120	62	20	M30 × 1.5	202	G1/4	40	70	0.960
398.253	180	252	60	188	95	30	M50 × 1.5	292	G1/4	50	95	3.000
398.263	180	252	60	180	95	30	M50 × 1.5	292	G1/4	50	95	2.940
398.283	240	310	80	252	110	40	M67 × 1.5	360	G1/4	63	120	3.910
398.293	240	310	80	240	110	40	M67 × 1.5	360	G1/4	63	120	3.860