

HNA 系列气源处理元件

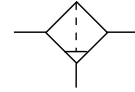
Series Air Filter Combination

HNAF 系列金属杯空气过滤器

series Air filter with metal cup



图形符号 Graphical symbols



技术参数 Specification

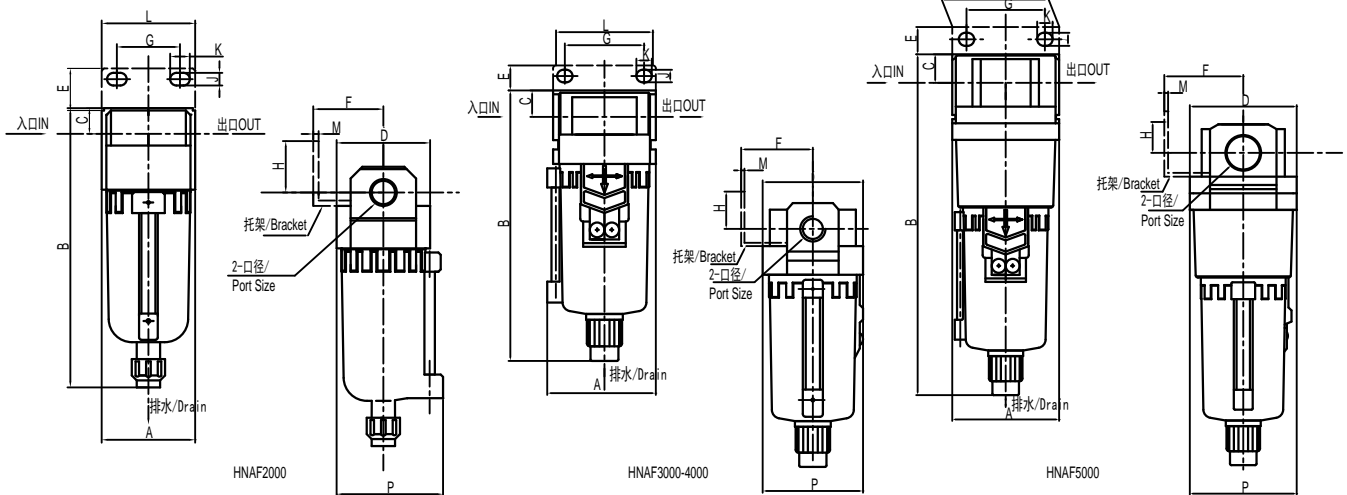
保证耐压力 / Ensured Pressure Resistance	1.5MPa (15kg/cm ²)
最高使用压力 / Max Working Pressure	1.0MPa(10kg/cm ²)
环境及流体温度 / Ambient and Fluid Temperature	5-60℃
*过滤精度 / Filter Precision	25μm
容器材料 / Container Material	铝压铸件 / Aluminum Die Casting

还有5、50μm可供选择。 / 5, 50μm available in addition

型号 Model	规格 / Specifications				配件 Accessories		自动排水型号 Auto Drain Model
	*额定流量 Rated Flow (L/min)	**接管口径 Port Size	杯容量 Bowl capacity (cm ³)	重量 Weight (kg)	托架 Bracket	放水器功能 Drain function	
HNAF2000-01M	750	1/8	15	0.17	B240	手动排水 Manual drain	HNAF2000-01MD
HNAF2000-02M		1/4					HNAF2000-02MD
HNAF3000-02M	1500	1/4	20	0.29	B340	a. 停气排水 Air shut off drain	HNAF3000-02MD
HNAF3000-03M		3/8					HNAF3000-03MD
HNAF4000-03M	4000	3/8	45	0.53	B440	b. 手动排水 Manual drain	HNAF4000-03MD
HNAF4000-04M		1/2					HNAF4000-04MD
HNAF4000-06M	6000	3/4	45	0.58	B540	b. 手动排水 Manual drain	HNAF4000-06MD
HNAF5000-06M		3/4					HNAF5000-06MD
HNAF5000-10M	7000	1	130	1.05	B640		HNAF5000-10MD

*供应压力为0.7MPa (7.1kgf/cm²) 设定压力为0.5MPa(5.1kgf/cm²) 的情况下
Under the circumstance that supply pressure is 0.7MPa(7.1kgf/cm²) and set pressure is 0.5MPa(5.1kgf/cm²)

**接管口径另有Rc、NPT螺纹可供选择 / Rc, and NPT thread are available.



型号 Model	口径 Port size (G)	A	B	C	D	E	F	G	H	J	K	L	M	P
HNAF2000	1/8~1/4	40	119.5	11	40	17	30	27	22	5.4	8.4	40	2.3	46
HNAF3000	1/4~3/8	57.5	154	14	53	16	41	40	23	6.5	8	53	2.3	55
HNAF4000	3/8~1/2	74	184	18	70	17	50	54	26	8.5	10.5	70	2.3	72.5
HNAF4000-06M	3/4	76.5	188	20	70	14	50	54	25	8.5	10.5	70	2.3	72.5
HNAF5000	3/4~1	90	263	24	90	23	66.5	66	35	11	13	90	3.2	90