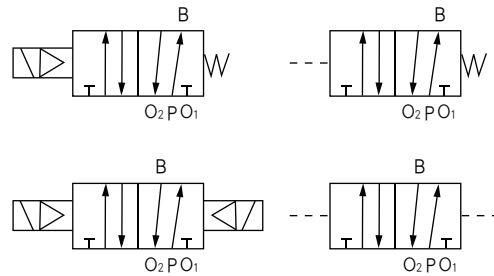


# K 系列滑柱式电磁阀 Series Spool Valve

## K25 系列二位五通滑柱式换向阀 Series 5/2 ways spool valve



### 图形符号 symbols



### 产品特点 Features

二位五通滑阀供气动装置中改变气流方向的基本元件。K25D系列是机械部联合设计产品，性能优越。

This series spool valve is the basic element of changing air flow directions in pneumatic system. K25D series are design by the Ministry It features good performance

### 型号注释 Order Code



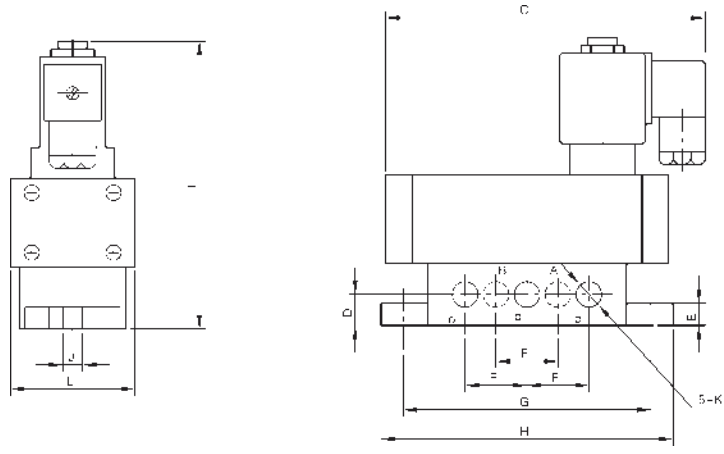
### 技术参数 Specification

参数 Item	公称口径 Dia (mm)	工作压力 Working pressure (MPa)	电源电压 Voltage (V)	换向时间 Direction changing time (sec)	切换频率 Switch over frequency (Hz)	寿命(万次) Working life (10K times)	泄漏量 Leakage rate (mL/min)	环境温度 Ambient temperature (°C)	公称流量 Flow rate (m <sup>3</sup> /h)	有效截面积S值 Effective sectional area S valve(mm <sup>2</sup> )
K25D(K)-6 K25D <sub>2</sub> (K <sub>2</sub> )-6	6	0.15~0.8	DC24V DC12V AC220V AC110V AC36V (电控参数)	≤ 0.06	≥ 6	≥ 150	≤ 0.1	5~50	2.5	10
K25D(K)-8 K25D <sub>2</sub> (K <sub>2</sub> )-8	8			≤ 0.06	≥ 6		≤ 0.3		5	20
K25D(K)-10 K25D <sub>2</sub> (K <sub>2</sub> )-10	10			≤ 0.06	≥ 6		≤ 0.5		7	35
K25D(K)-15 K25D <sub>2</sub> (K <sub>2</sub> )-15	15			≤ 0.12	≥ 2		≤ 0.5		10	60
K25D(K)-20 K25D <sub>2</sub> (K <sub>2</sub> )-20	20			≤ 0.12	≥ 2		≤ 0.5		20	120
K25D(K)-25 K25D <sub>2</sub> (K <sub>2</sub> )-25	25			≤ 0.12	≥ 2		≤ 0.5		30	190

**K** 系列滑柱式电磁阀  
Series Spool Valve

K25

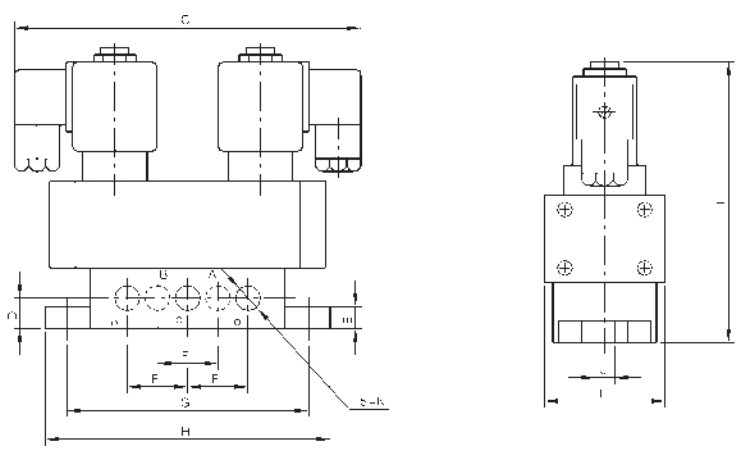
K25D-□



外形尺寸 Outlook & Dimension

型号 type	接管螺纹 threads	C	D	E	F	G	H	I	J	L
K25D-6	G1/8(M10×1)	145	14	10	28	112	130	130	9	56
K25D-8	G1/4(M12×1.25)									
K25D-10	G3/8(M16×1.5)	163	19	14	38	146	164	165	9	74
K25D-15	G1/2(M20×1.5)									
K25D-20	G3/4(M27×2)	241	25	15	60	202	234	210	11	112
K25D-25	G1 (M33×2)									
K25D-32	G1 1/4 (M42×2)	360	46	18	96	303	340	260	13	166
K25D-40	G1 1/2 (M48×2)									
K25D-50	G2 (M60×2)									

K25D<sub>2</sub>-□



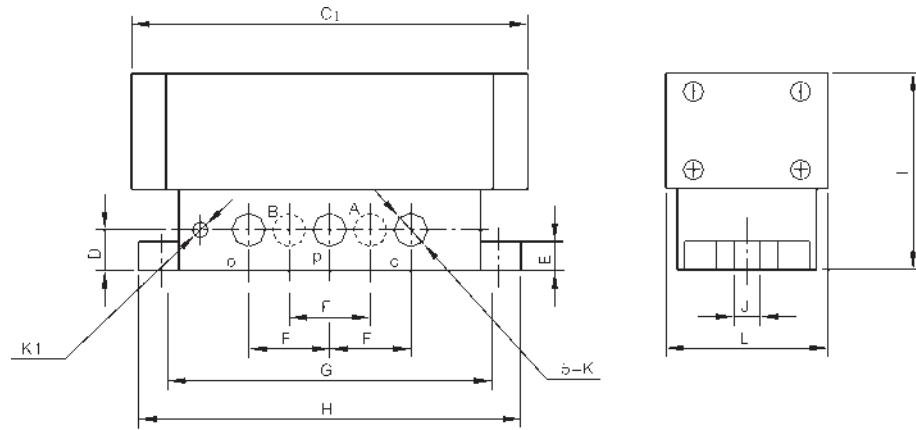
外形尺寸 Outlook & Dimension

型号 type	接管螺纹 threads	C	D	E	F	G	H	I	J	L
K25D <sub>2</sub> -6	G1/8(M10×1)	160	14	10	28	112	130	130	9	56
K25D <sub>2</sub> -8	G1/4(M12×1.25)									
K25D <sub>2</sub> -10	G3/8(M16×1.5)	171	19	14	38	146	164	165	9	74
K25D <sub>2</sub> -15	G1/2(M20×1.5)									
K25D <sub>2</sub> -20	G3/4(M27×2)	230	25	15	60	202	234	210	11	112
K25D <sub>2</sub> -25	G1 (M33×2)									
K25D <sub>2</sub> -32	G1 1/4 (M42×2)	345	46	18	96	303	340	260	13	166
K25D <sub>2</sub> -40	G1 1/2 (M48×2)									
K25D <sub>2</sub> -50	G2 (M60×2)									

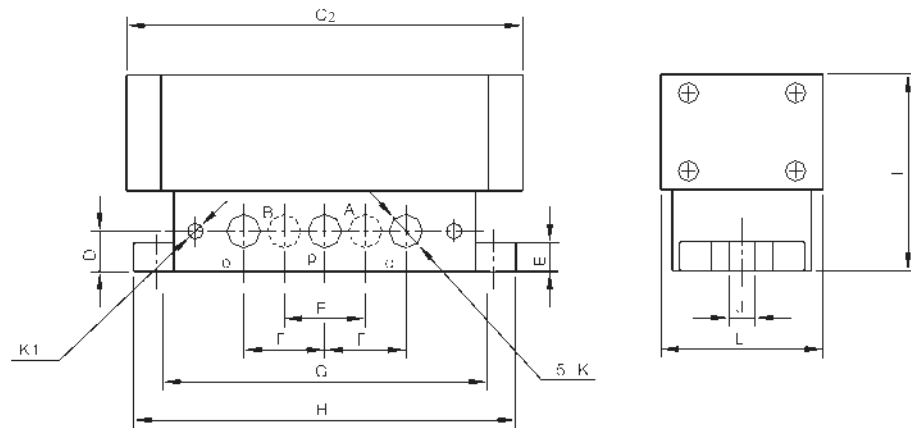
**K** 系列滑柱式电磁阀  
Series Spool Valve

K25

K25K-□



K25K<sub>2</sub>-□



外形尺寸 Outlook & Dimension

型号 type	接管螺纹 threads	C1	C2	D	E	F	G	H	I	J	L	K1
K25K-6 K25K <sub>2</sub> -6	G1/8(M10×1)	130	130	14	10	28	112	130	130	9	56	M10×1
K25K <sub>2</sub> -8	G1/4(M12×1.25)											
K25K-10 K25K <sub>2</sub> -10	G3/8(M16×1.5)	161	171	19	14	38	146	164	165	9	74	
K25K-15 K25K <sub>2</sub> -15	G1/2(M20×1.5)											
K25K-20 K25K <sub>2</sub> -20	G3/4(M27×2)	241	230	125	15	60	202	234	210	11	112	
K25K-25 K25K <sub>2</sub> -25	G1 (M33×2)											